


Foreword

Thanks for choosing our LED Sports Light. We strongly recommend you to read this manual carefully before installation and usage. Make sure you have completely understood the assembly instructions so as to ensure normal working of LED Sports Light.

Safety Warnings

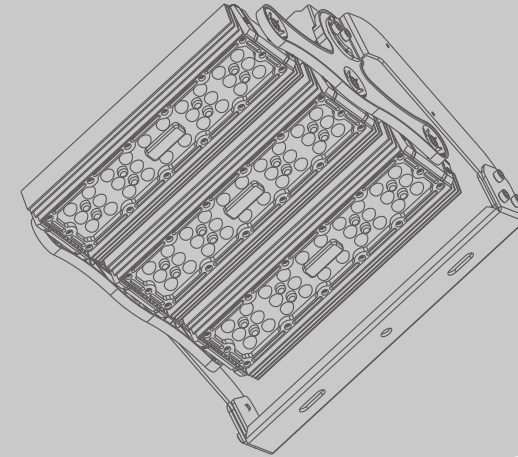
In order to ensure a perfect quality of the product and a safe usage, please kindly follow the instructions:

1. Before opening the package, please check if there's damage or defect during transportation, if damage occurs, please don't use it and inform your supplier immediately.
2. Should the product be found damaged in any way, please keep it in package and contact your supplier in time.
3. Please do not attempt to use a damaged product.
4. The product should be installed, dismantled and maintained by a qualified electrician; Suppliers don't take charge of any problems or damages that occur due to mishandling such as an operation not permitted in this manual.
5. Choose an install place where can withstand 10 times the weight of the product to ensure a solid installation.
6. Wipe the lampshade and veil with soft cloth dipped a little neutral detergent, be sure not to use any sandpaper, polishing powder or alcohol, gasoline and so on liquor.
7. A High Pressure Air Blower is recommended to clean the heat sink of this LED Sports Light.
8. To avoid the risk of fire, explosion, or electric shock, this product should be installed, inspected, and maintained by a qualified electrician only, in accordance with all applicable electrical codes.
9. Be certain electrical power is OFF before and during installation and maintenance.
10. The external flexible cable or cord of this luminaire cannot be replaced; if the cord is damaged, the luminaire shall be destroyed.
11. The light source of this luminaire is not replaceable; when the light source reaches its end of life the whole luminaire shall be replaced.
12. Terminal block not included. Installation may require advice from a qualified person.
13. The light source contained in this luminaire shall only be replaced by the manufacturer or his service agent or a similar qualified person.
14. IP66 can be used indoor and outdoor.
15. Shall be installed out of arms reach. 
16. Caution, risk of electric shock.

This manual applies to this model product only, for more information, please contact our staff.

USER MANUAL

LED SPORTS LIGHT



IK10 IP66

CONTENTS

Product Parameter	1
Product dimension(mm)	1
Installation	2
Foreword	3
Safety Warnings	3

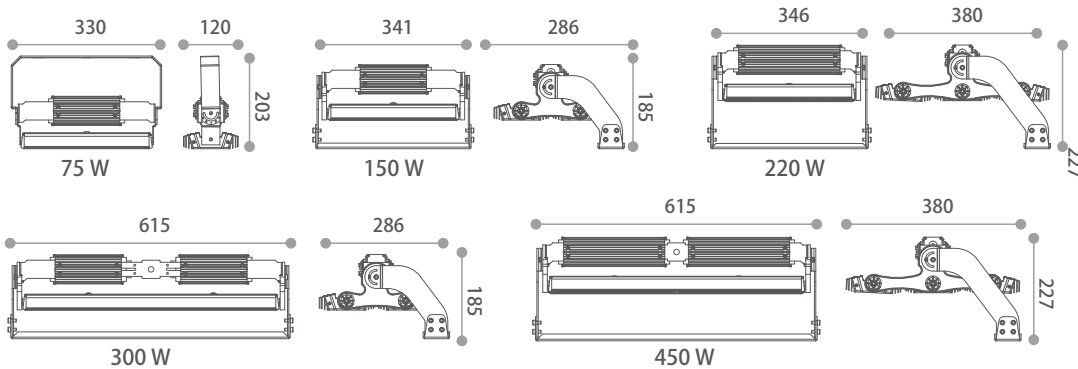
Product Parameter

Beam angle: A09-Typell_s / A10-Typell_m / A11-Type_IV / S13-TeypeV / A16-60*90deg / S07-50deg / S09-90deg.

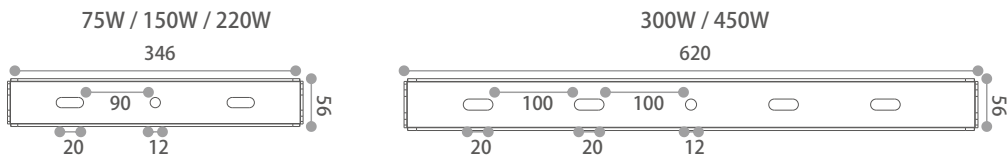
Operating temperature: -40°C~+55°C

	Item	Power	Voltage	PF	@4000K	Net weight
CRI>70	75w Sports Light	75W	220-240 VAC	>0.95	10875 lm	2.9 kg
	150w Sports Light	150W	220-240 VAC	>0.95	21750 lm	4.4 kg
	220w Sports Light	220W	220-240 VAC	>0.95	31900 lm	6 kg
	300w Sports Light	300W	220-240 VAC	>0.95	43500 lm	8.1 kg
	450w Sports Light	450W	220-240 VAC	>0.95	65250 lm	12 kg
CRI>80	75w Sports Light	75W	220-240 VAC	>0.95	10125 lm	2.9 kg
	150w Sports Light	150W	220-240 VAC	>0.95	20250 lm	4.4 kg
	220w Sports Light	220W	220-240 VAC	>0.95	29700 lm	6 kg
	300w Sports Light	300W	220-240 VAC	>0.95	40500 lm	8.1 kg
	450w Sports Light	450W	220-240 VAC	>0.95	60750 lm	12 kg

Product dimension(mm)

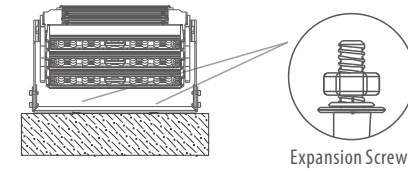


Bracket for installation:

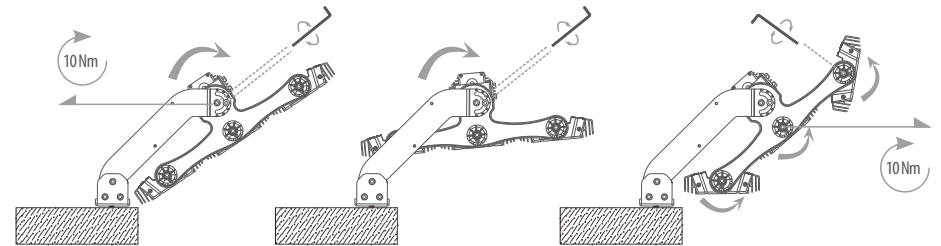


Installation

1. Fix the bracket by expansion screw in proper size, As shown in picture below.



2. Adjust Sports light to achieve expected emitting angle.



3. Make connection with mains supply as per following instruction and light up.

Standard Cable Config:

- * 0.5m VDE/UL listed rubber cable
- * diameter of 3*1.0mm
- * with cold-pressed terminal

