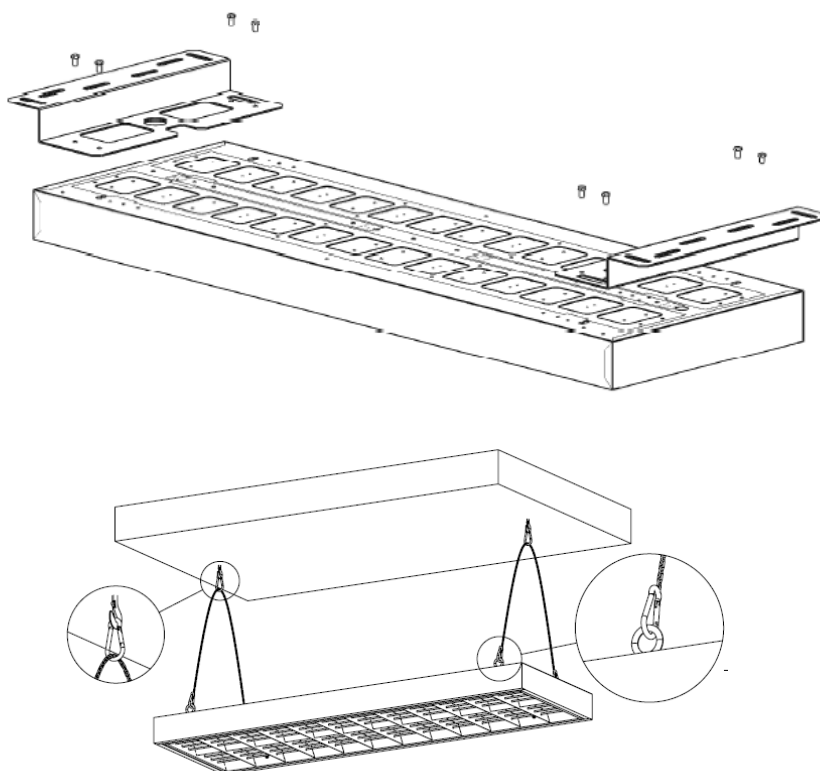


Installation :



Montage bracket (fourni) ou suspente (non fourni)

